

PLEASE READ this sheet prior to assembly to familiarise yourself with the various stages of construction. Carefully open the pack supplied and check the contents against the parts and fittings check list.

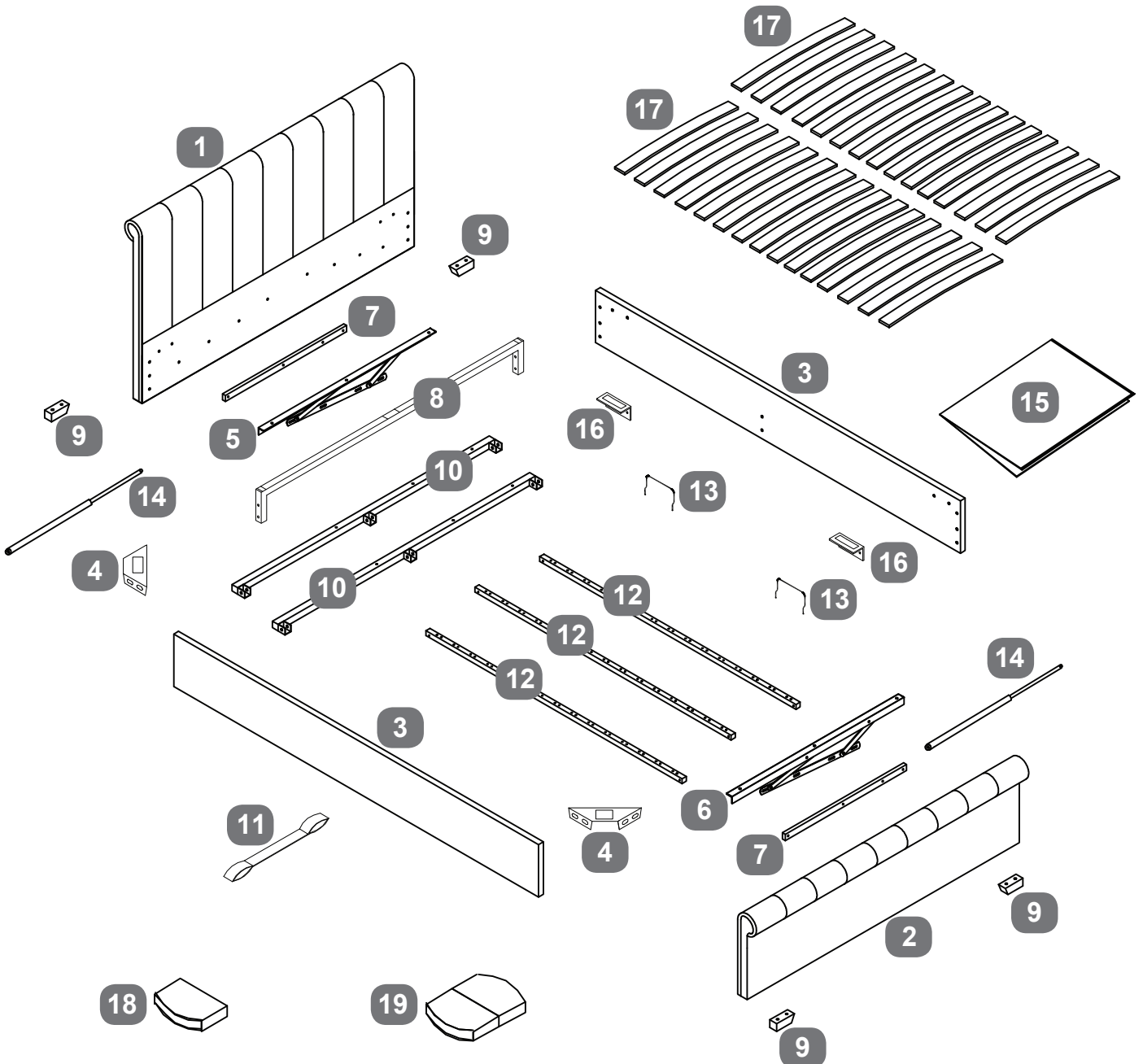
Do not destroy any of the packaging until you are certain that you have all the necessary parts for the assembly.

Please ensure that the packaging is disposed of in a safe environmentally friendly way.

CAUTION: There are small components used in the construction of this unit. These loose items should be kept away from young children during assembly, to avoid the danger of choking.

IMPORTANT: BEFORE STARTING TO ASSEMBLE THE BED - PLEASE READ THESE INSTRUCTIONS CAREFULLY.

Parts Identification



Parts Checklist

Ref.	Description	Qty	Box	Ref.	Description	Qty	Box
1	Headboard	1	1	11	Fabric Handle Strap	1	2
2	Footboard	1	1	12	Side Rails for Slat Frame	3	2
3	Side Rails	2	2	13	Mattress Stoppers	2	1
4	Angled Corner Brackets	2	1	14	Gas Lift Pistons	2	1
5	Gas-Lift Mechanism - LH	1	1	15	Fabric Base Cover	1	1
6	Gas-Lift Mechanism - RH	1	1	16	Metal Slat Frame Support Brackets	2	1
7	Spacer Rails for Mechanisms	2	2	17	Bentwood Slats	28/30	1
8	'U' Shape Cross Bar	1	2	18	Single Plastic Caps	28/30	1
9	Feet for Head & Footboards	4	1	19	Double Plastic Caps	14/15	1
10	Support Rails for Slat Frame	2	2				

Fittings Checklist

HARDWARE NEEDED FOR BED ASSEMBLY

Code	Description	Qty	Code	Description	Qty
A	Bolt sets (M8x20mm)	x12	J	Nut for M8 bolts	x16
B	Bolt sets (M8x35mm)	x16	K	Angle Brackets - LH	x2
C	Bolt sets (M8x50mm)	x12	L	Angle Brackets - RH	x2
D	Bolt sets (M8x65mm)	x4	M	Allen Key for M8 bolts	x1
E	Bolt sets (M6x45mm)	x12	N	Allen Key for M6 bolts	x1
F	Bolt sets (M6x20mm)	x12	P	Spanner for M8 nuts	x1
G	Flat washer for M8 nuts	x12			
H	Spring washer for M8 nuts	x12			

Care & Maintenance

In the unlikely event of missing or damaged parts, please contact your retailer. Please have this guide at hand quoting the part code reference numbers shown when requesting spare or replacement parts.

Warnings



NOTE: Before moving the slat frame, place the mattress on the slats. Without a mattress in place, the speed of movement is quick and may cause injury so great care is needed.

Carefully lower the frame with the fabric hand-strap (11) ensuring the frame sides are aligned with the side rails; there should be an even gap on each side.

If not aligned, check bed is still square (see Stage 11) and if it is, but gaps are still not even, re-align. Depending on the weight of the mattress, the rising speed will vary so be careful until you get used to the speed.

Always use the hand-strap to lift or lower the frame - keep fingers well away from the moving parts. When fully assembled and the mattress in position, please raise & lower the ottoman 4/5 times to ensure the gas pistons are fully lubricated.

General Hints & Tips

Please retain your assembly instruction and tools provided for future use. Periodically check that all bolts are still tight.

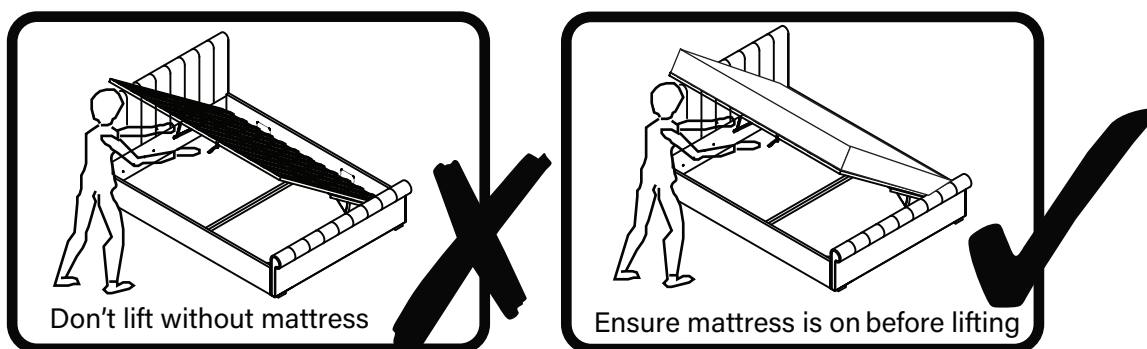


Approximate time to assemble this product

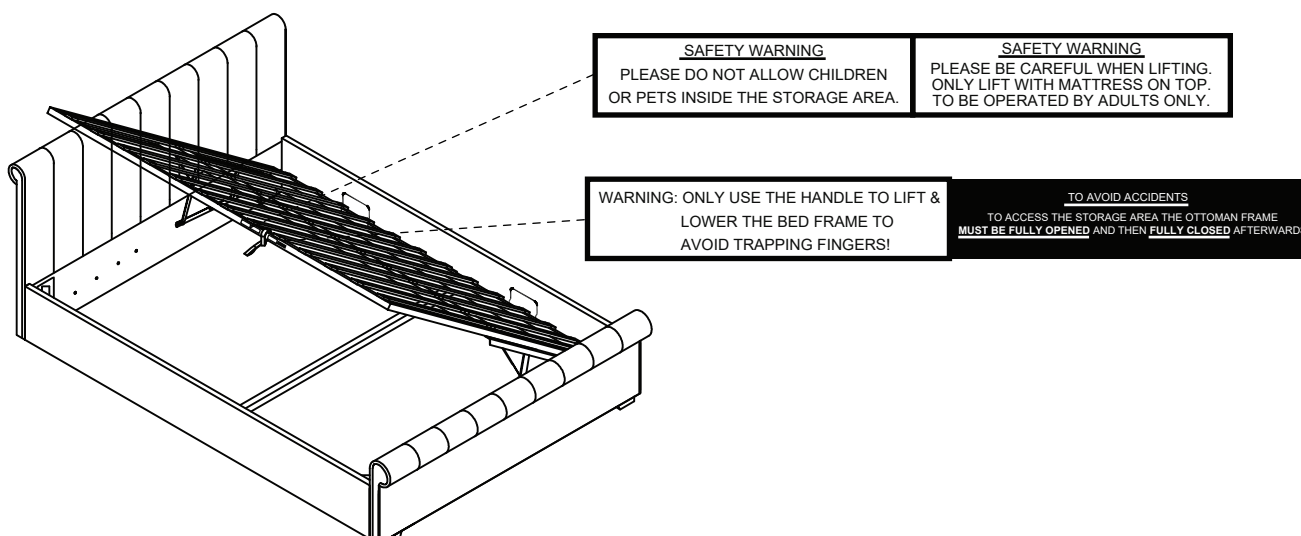
Warnings

- You must ensure that the mattress is on the bed frame before operating the lift mechanism. Failure to do so could result in injury.
- Keep hands clear of the mechanism when opening or closing the ottoman.
- Beware of entrapment – Never reach in through the mechanism to access the storage area.
- Always ensure that the ottoman is FULLY opened before accessing the storage area.
- Do not exceed the maximum weight as specified in the table below:

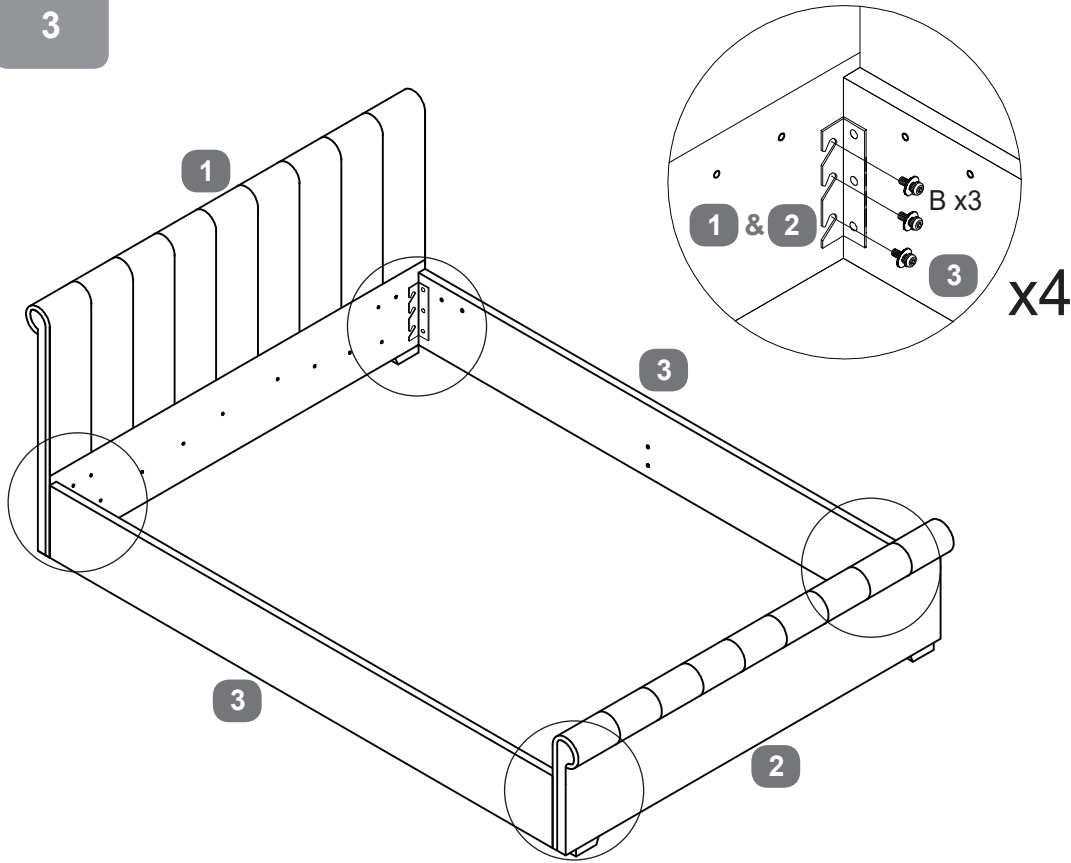
Bed	Bed Size	Min Weight (kg)	Max Weight (kg)
ASCOT OTTOMAN BED	Double	10	40
	King	15	45

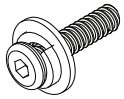


- Use caution when operating, always use the handle when lifting.
- Note: This bed uses a pressurised mechanism.
- To be operated by adults only
- Please ensure that children and pets are kept away from the bed when operating the lift mechanism.
- Keep children and pets away from the storage area.
- Do not overload the internal storage base.
- Do not stand inside the internal storage area of the bed.
- Before removing the mattress secure the frame to ensure it does not open unexpectedly.
- Do not attempt to lie on the mattress when the ottoman is in the raised position.
- When lifting the ottoman remove all bedding except the fitted sheet.

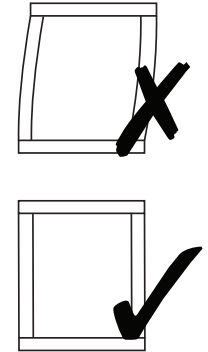


Stage
3



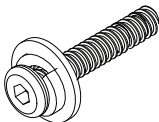

B  x12

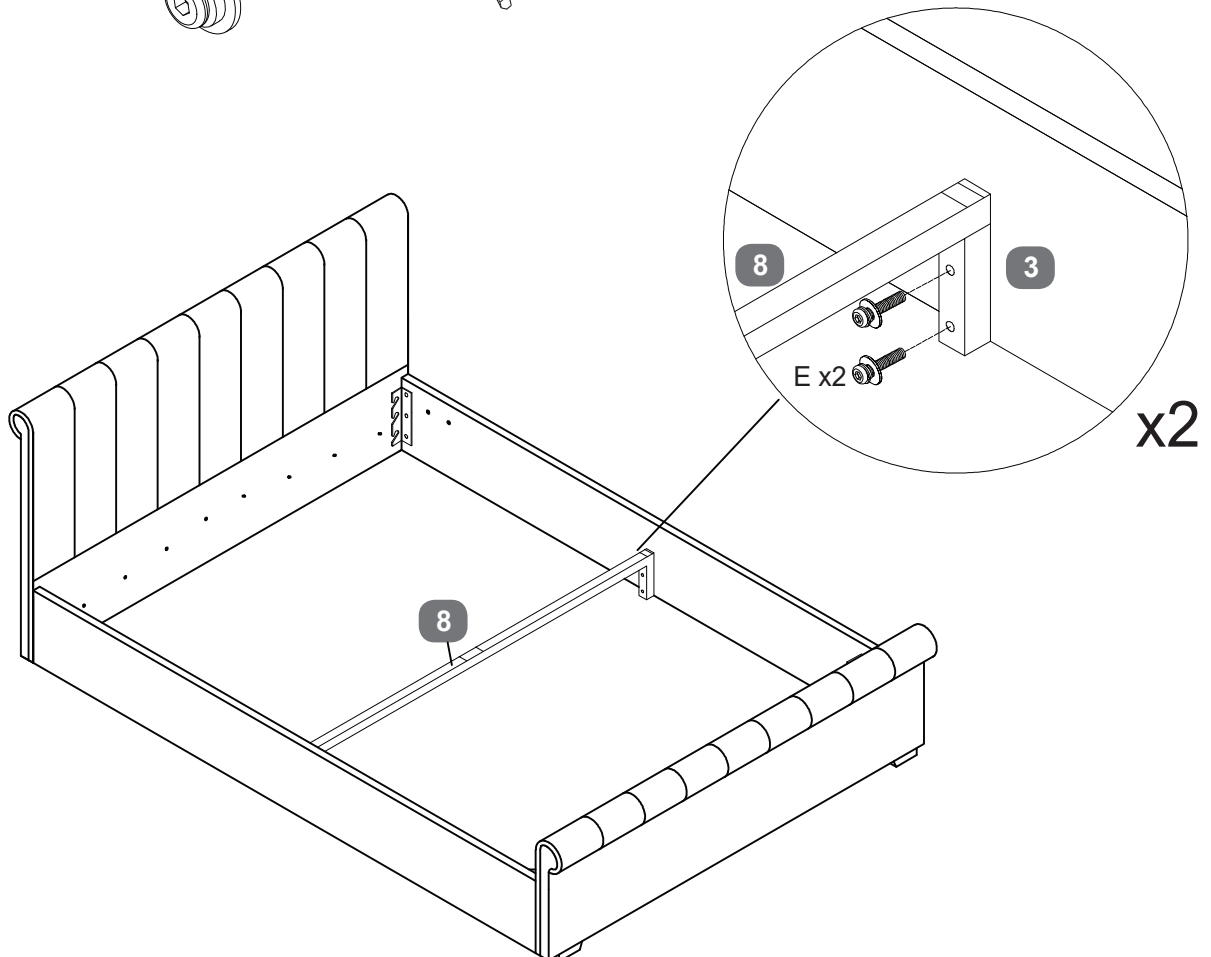
M  x1



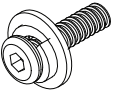

Make certain the bed is squared up as shown in the diagram then tighten all bed assembly bolts 100%.

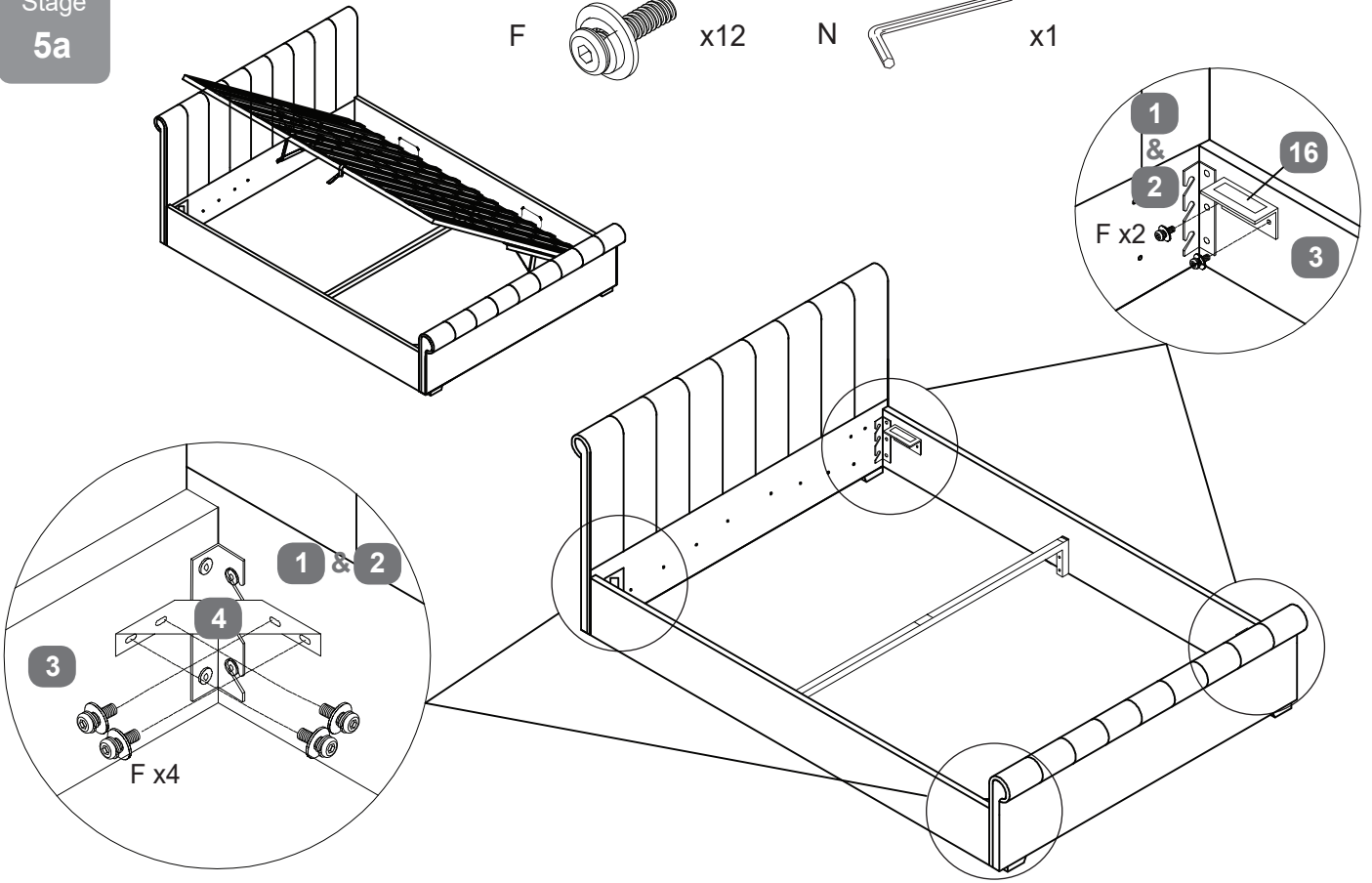
Stage
4

E  x4 N  x1




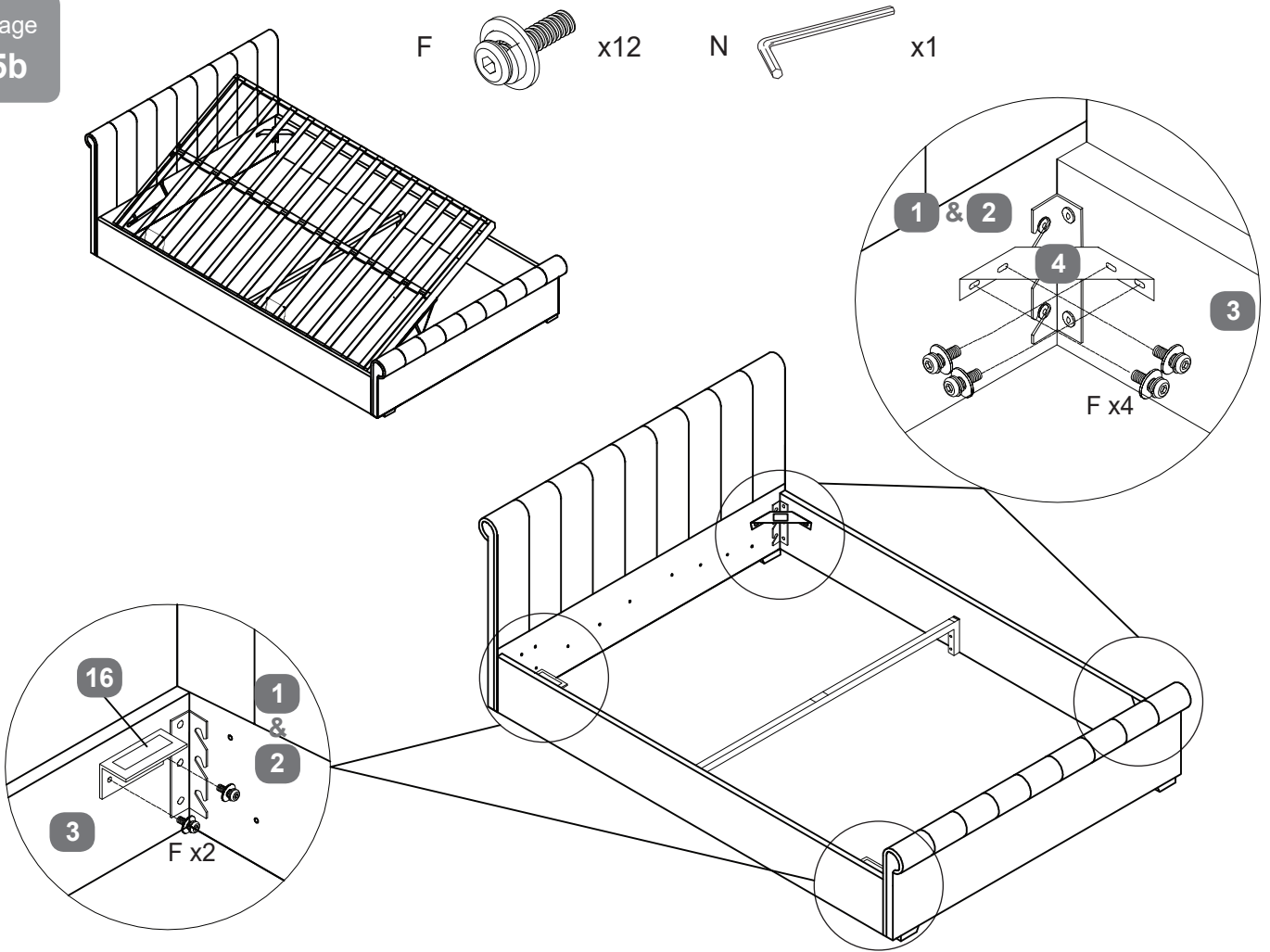
Stage
5a

F  x12 N  x1

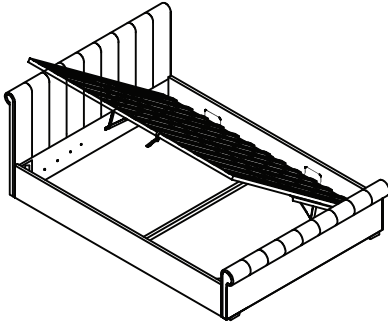





Stage
5b

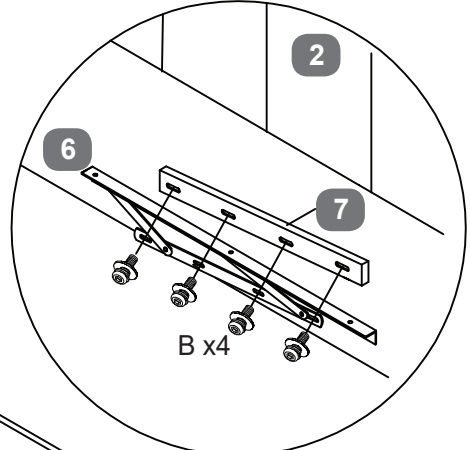
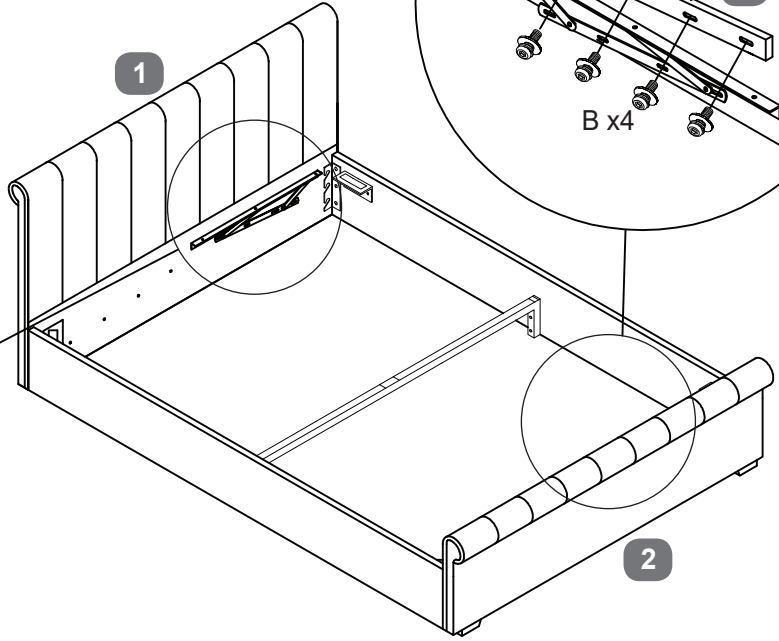
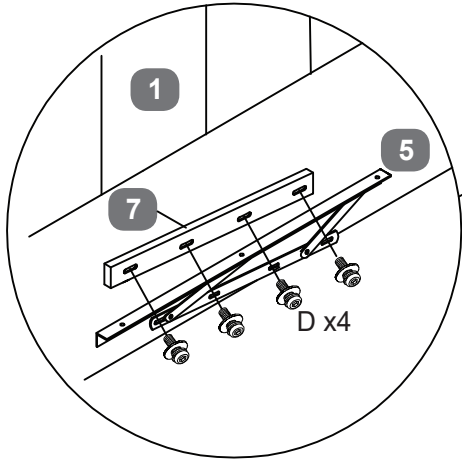
F  x12 N  x1



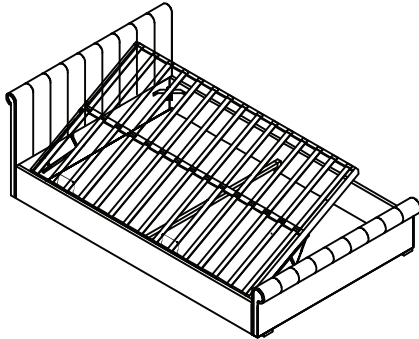
Stage
6a

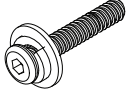



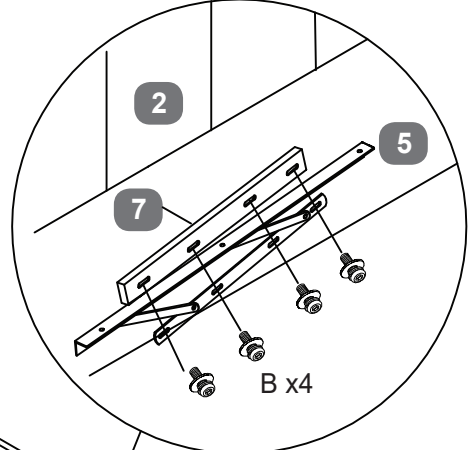
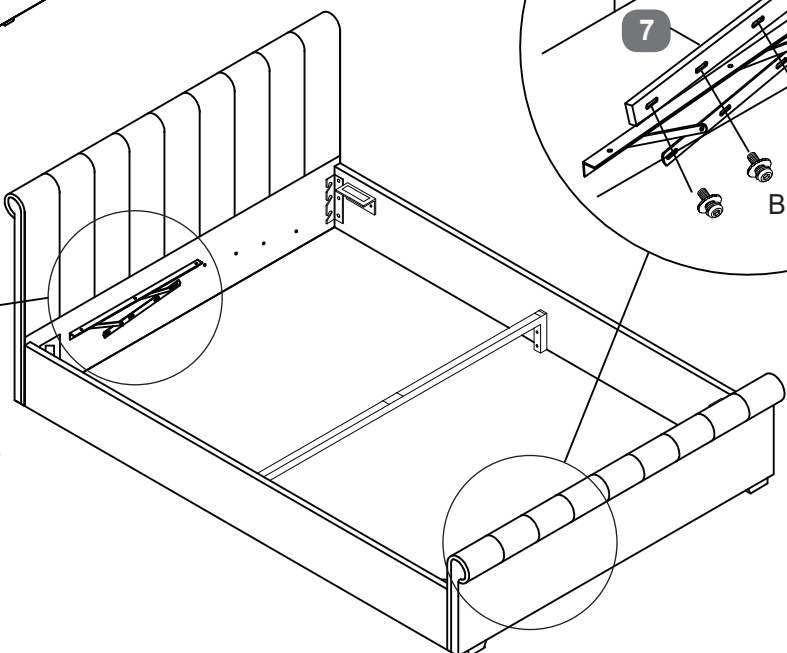
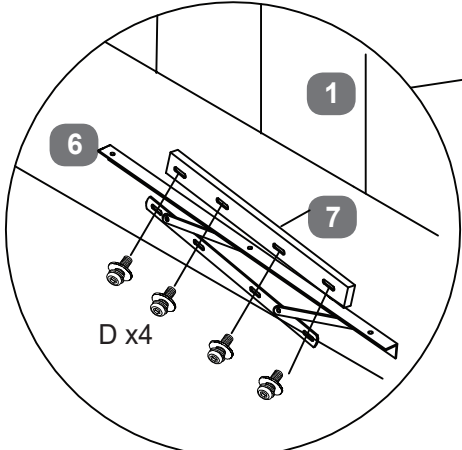
- B  x4 D  x4 M  x1



Stage
6b

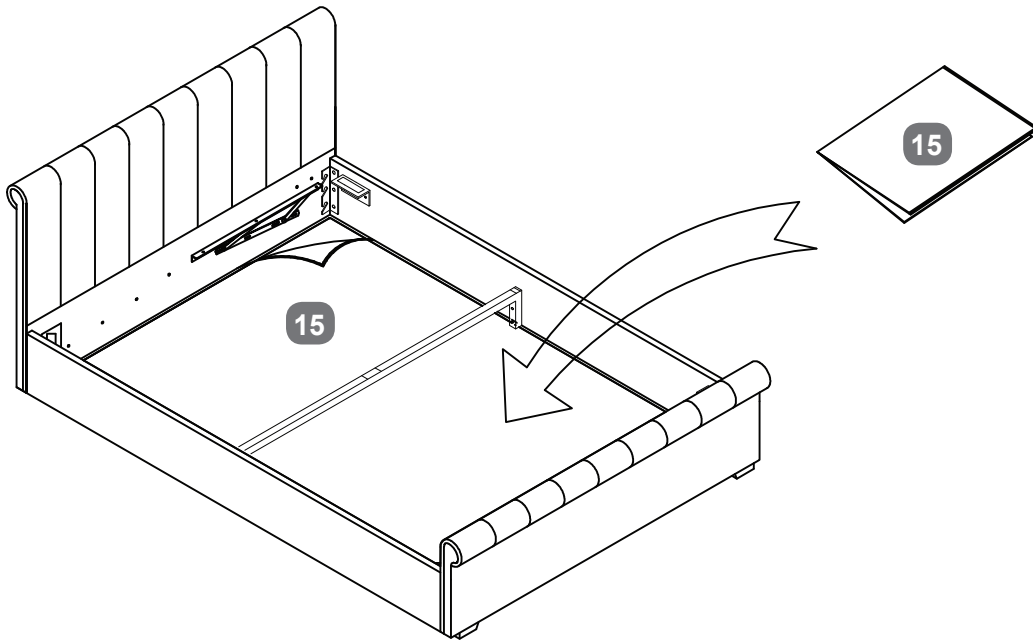


- B  x4 D  x4 M  x1




Stage
7


Fit the fabric base cover (15) evenly around the inside of the bed.

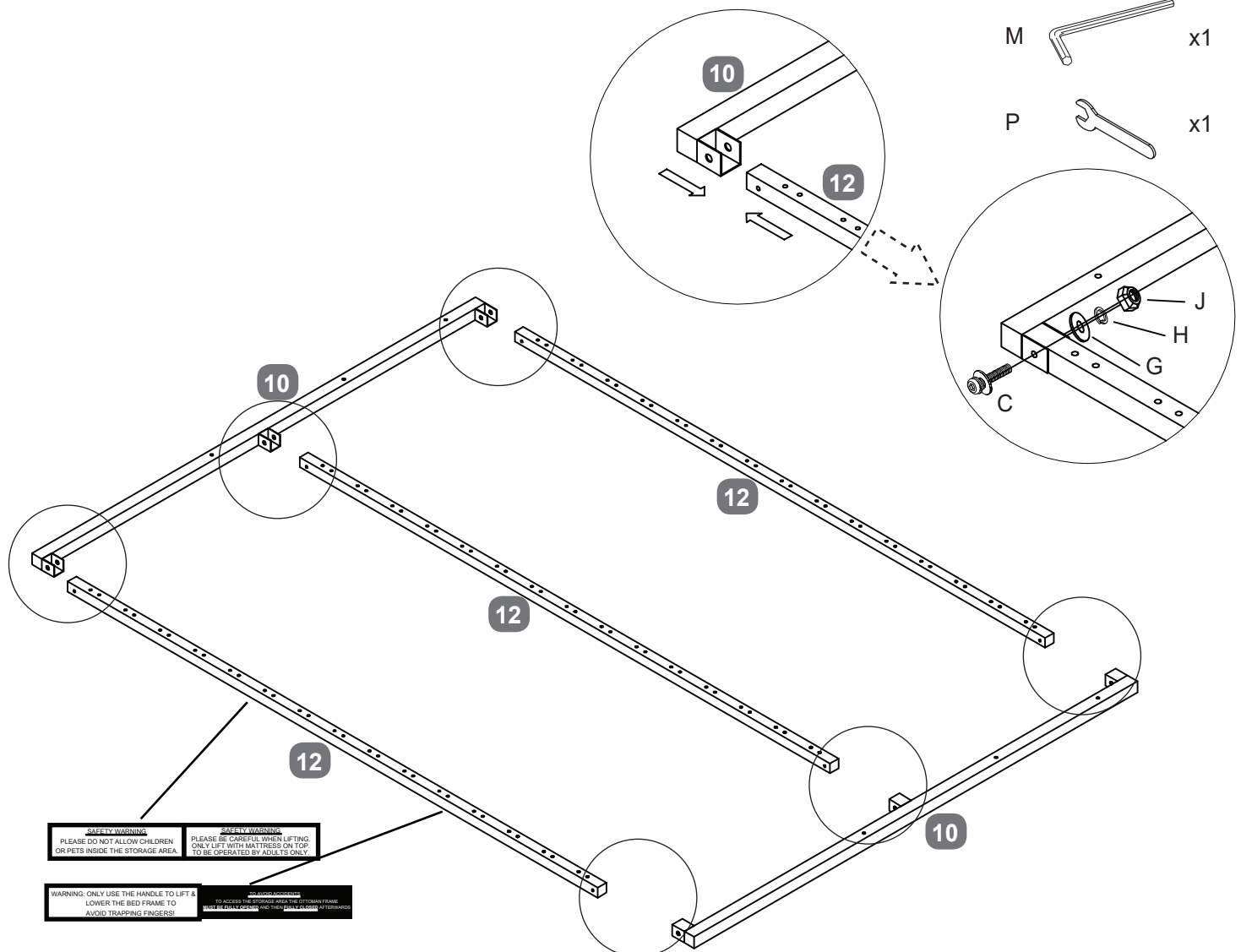


Stage
8

- C  x6 G  x6 H  x6 J  x6

- M  x1

- P  x1



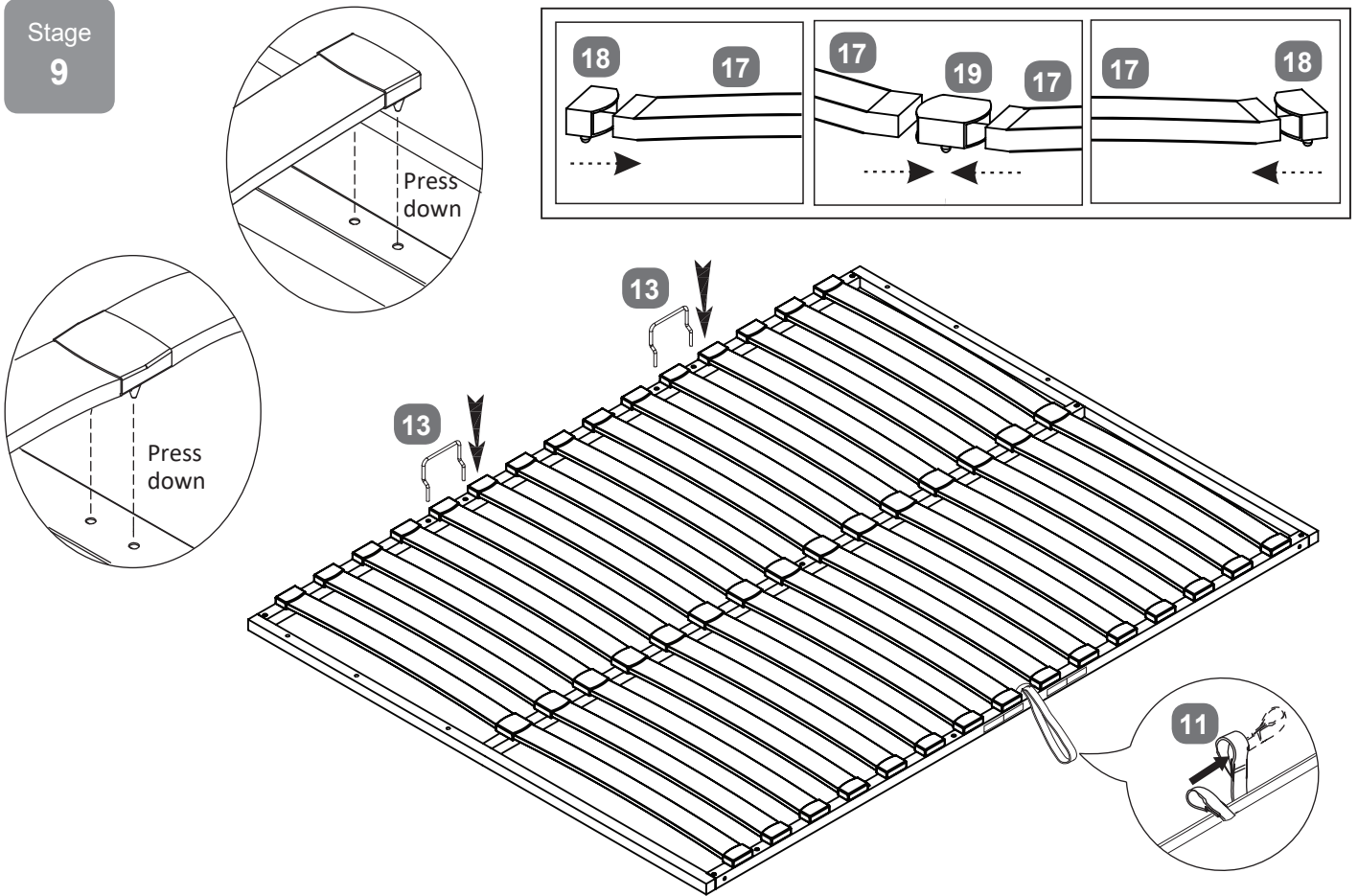
SAFETY WARNING:
PLEASE DO NOT ALLOW CHILDREN
OR PETS INSIDE THE STORAGE AREA.

SAFETY WARNING:
PLEASE BE CAREFUL WHEN LIFTING.
ONLY LIFT WITH MATTRESS ON TOP.
TO BE OPERATED BY ADULTS ONLY.

WARNING: ONLY USE THE HANDLE TO LIFT &
LOWER THE BED FRAME TO
AVOID TRAPPING FINGERS!

WARNING: TO ACCESS THE STORAGE FROM THE BOTTOM FRAME,
PLEASE REMOVE THE MATTRESS AND THEN DISASSEMBLE THE FRAME.

Stage
9

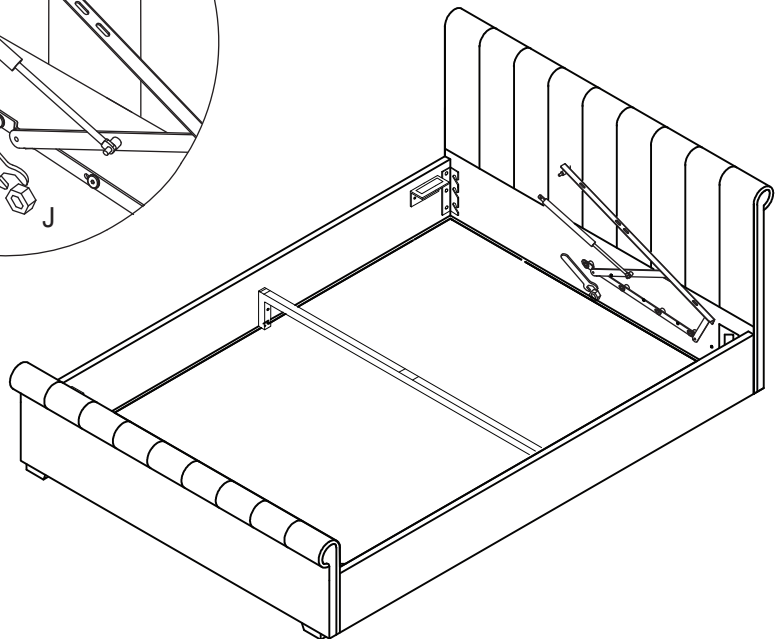
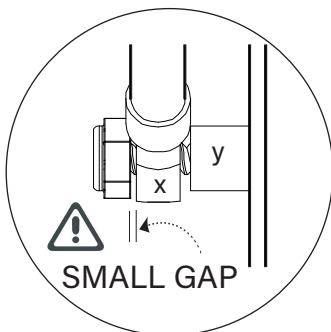
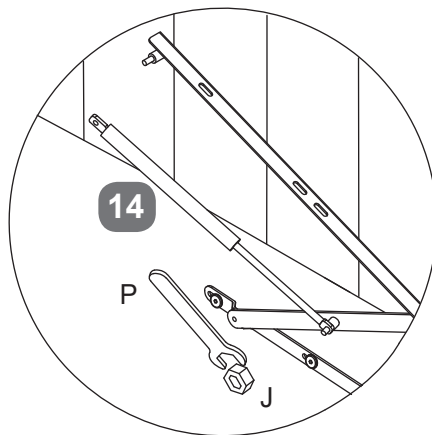


Stage
10

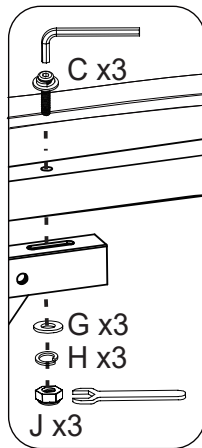
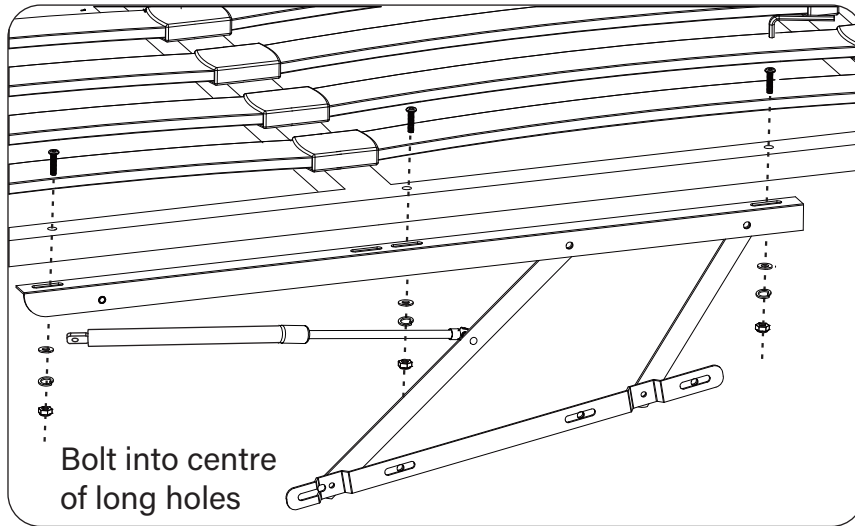
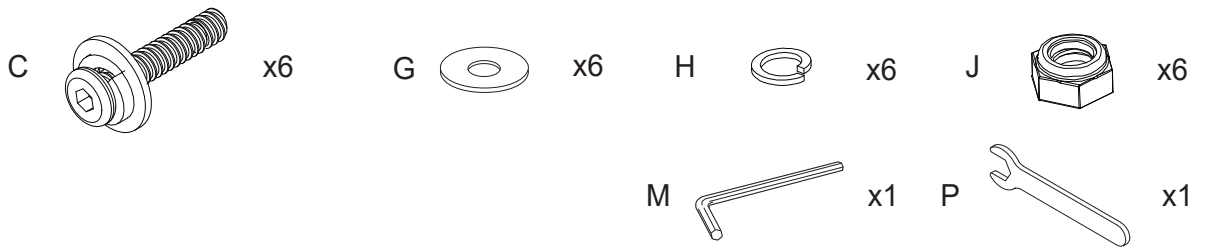


Slide gas-lift piston stem (x) onto the axle (y) then fit the flange lock-nut (J). Tighten nut with spanner (P)- do not over-tighten

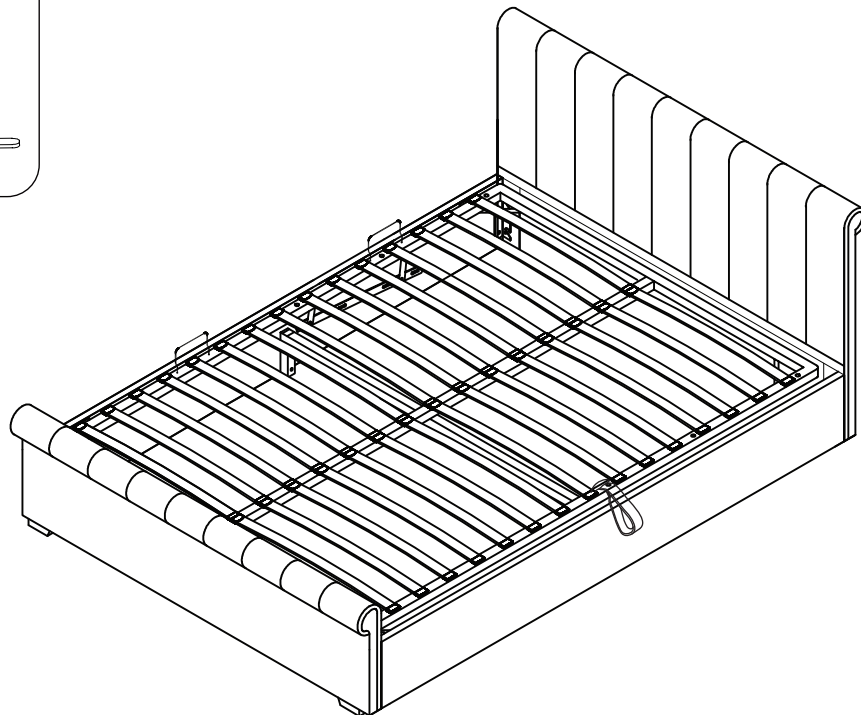
A small gap must be left so stem can move freely - this is important, see sketch below.

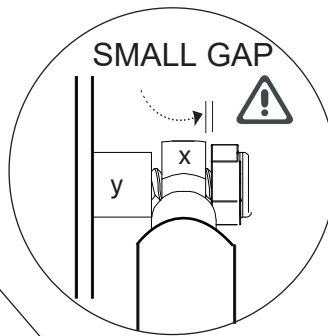
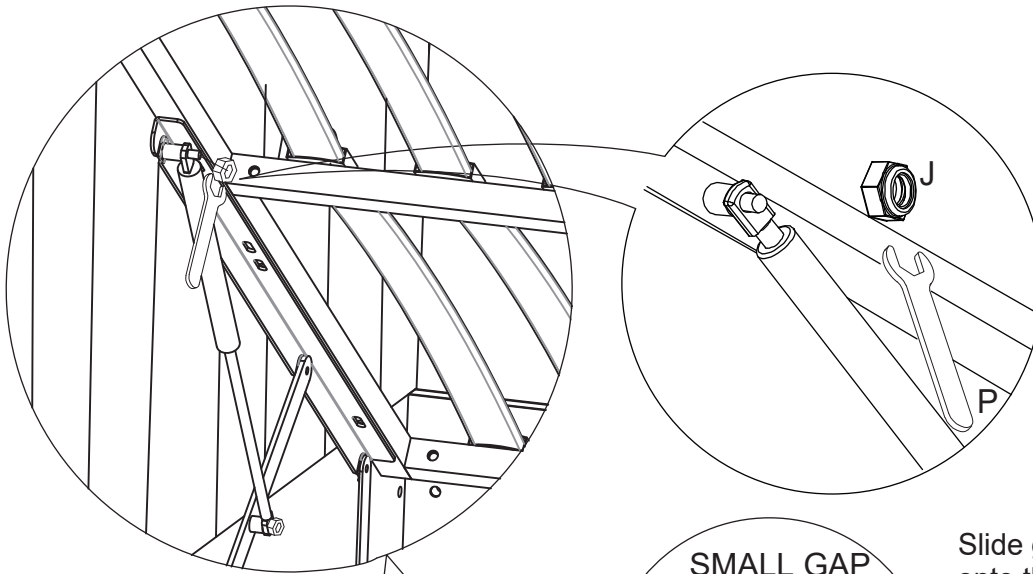


Stage
11



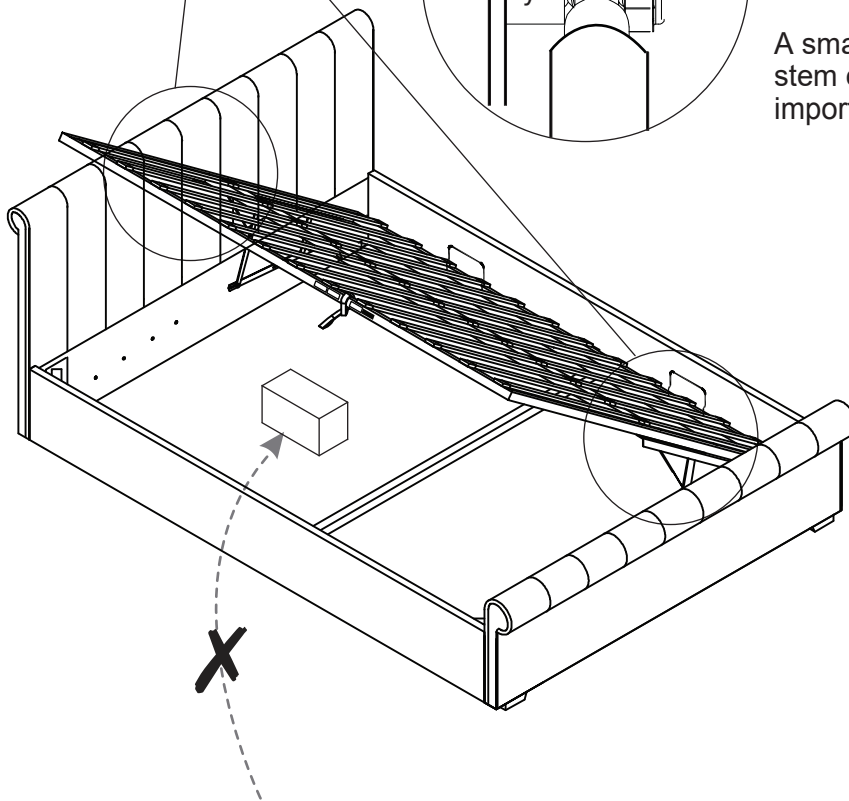
Loosely fit three bolt sets on each side (C, G, H & J), carefully hold frame down and align so there even gaps at each side, then tighten all bolts 100%.





Slide gas-lift cylinder stem (x) onto the axle (y) then fit the flange lock-nut (J). Tighten nut with spanner (P) do not over-tighten.

A small gap must be left so stem can move freely- this is important, see sketch above.



Note: Be very careful what you store under the bed - the top of an item, like a suitcase or a box, must not touch the slats or they may be damaged.
Maximum storage height is 210mm.

Technical Specifications

Overall Dimensions (LWH mm)

Double: 2160 x 1450 x 1060

King: 2260 x 1600 x 1060

Storage Dimensions (LWH mm)

Double: 1930 x 1380 x 210

King: 2030 x 1530 x 210

Ottoman Piston Strength

800N

Distance between slats (mm)

Double: 70

King: 68

Slat Dimension (mm)

Double: 665 x 53 x 9

King: 740 x 53 x 9

